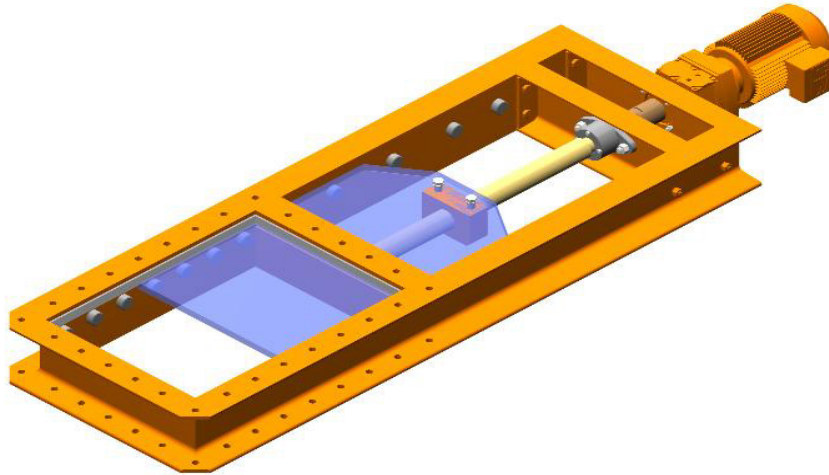
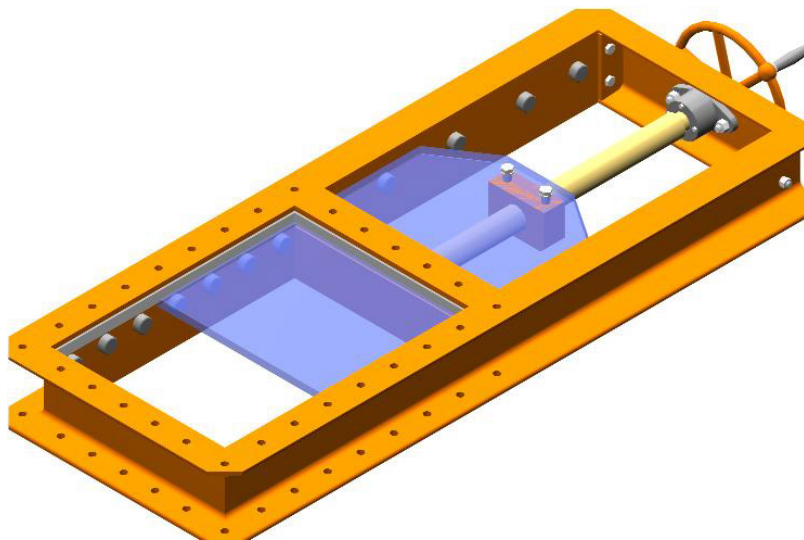


## Flat slide gates type ZM and ZR



ZM



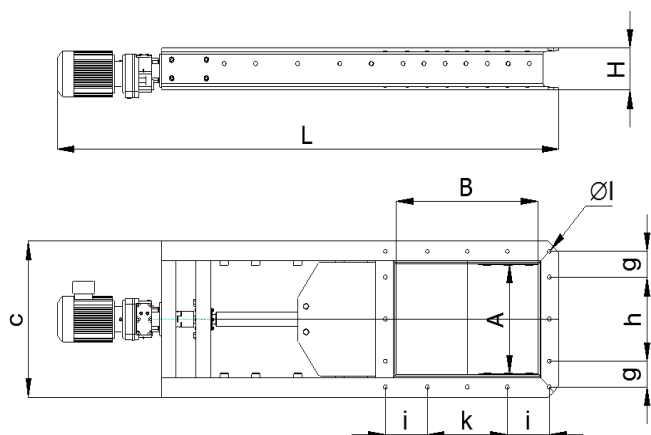
ZR

### Intended use:

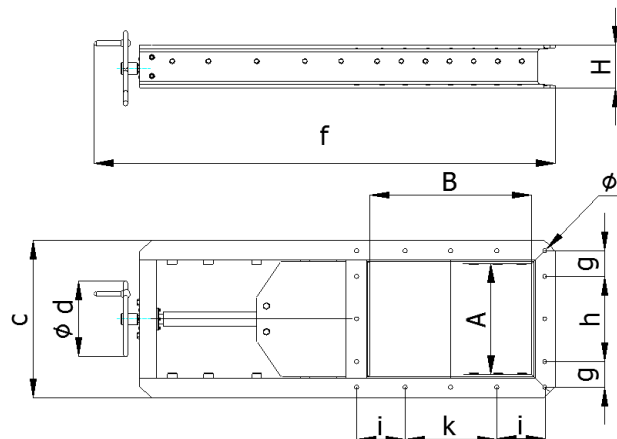
Flat slide gates are used in process lines to halt the flow of loose materials. Upon request of the Customer, these devices can be performed from construction steel or stainless steel. Devices are manufactured with an electric drive (type ZM), pneumatic drive (type ZP) or manual drive (type ZR).

For the best selection of the equipment please contact our technical office, tel.: +48 77/470 04 97.

# Flat slide gates type ZM and ZR



ZM



ZR

## Technical data:

Manufactured sizes		c mm	Φ d mm	f mm	L mm	G mm	H mm	h mm	i mm	k mm	Φ I mm
A mm	B mm										
160	160	260	270	825	626	110	100	-	110	-	12
200	200	300	270	925	706	130	100	-	130	-	12
200	250	300	270	1005	806	130	100	-	155	-	12
250	250	350	270	1005	806	155	100	-	155	-	12
250	315	350	270	1105	936	155	100	-	125	125	12
250	400	350	270	1305	1106	155	100	-	115	2 x 115	12
315	315	415	270	1135	936	125	100	125	125	125	14
315	400	415	270	1305	1106	125	100	125	115	2 x 115	14
315	500	415	270	1505	1306	125	100	125	140	2 x 140	14
400	400	500	350	1305	1106	150	100	160	150	160	14
400	500	500	350	1505	1306	150	100	160	140	2 x 140	14
400	630	500	350	1765	1566	150	100	160	170	2 x 175	14
500	500	600	600	1505	1306	140	100	2 x 140	140	2 x 140	14
500	630	600	600	1765	1566	140	100	2 x 140	170	2 x 175	14
500	800	600	600	2105	1906	140	100	2 x 140	2 x 145	2 x 140	14

Tel./Fax: +48 77 / 474 50 05  
Tel./Fax: +48 77 / 474 25 92

www.OFAMA.eu  
e-mail: ofama@ofama.eu