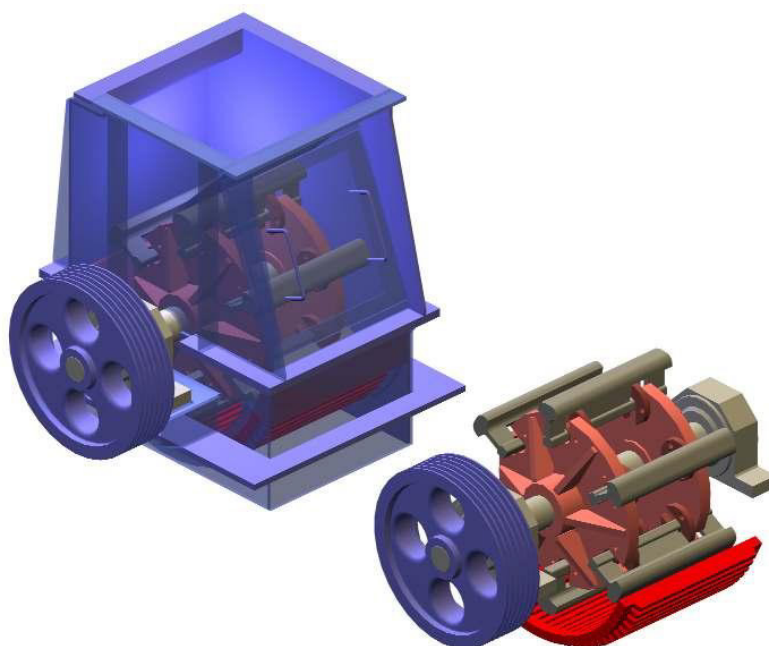


## Hammer crusher type OKM-6



### Intended use:

Hammer crusher is designed for crushing, among others, of glass, sinters, burnt shales, brick scraps, coal and other materials with a similar structure and hardness.

### Technical data:

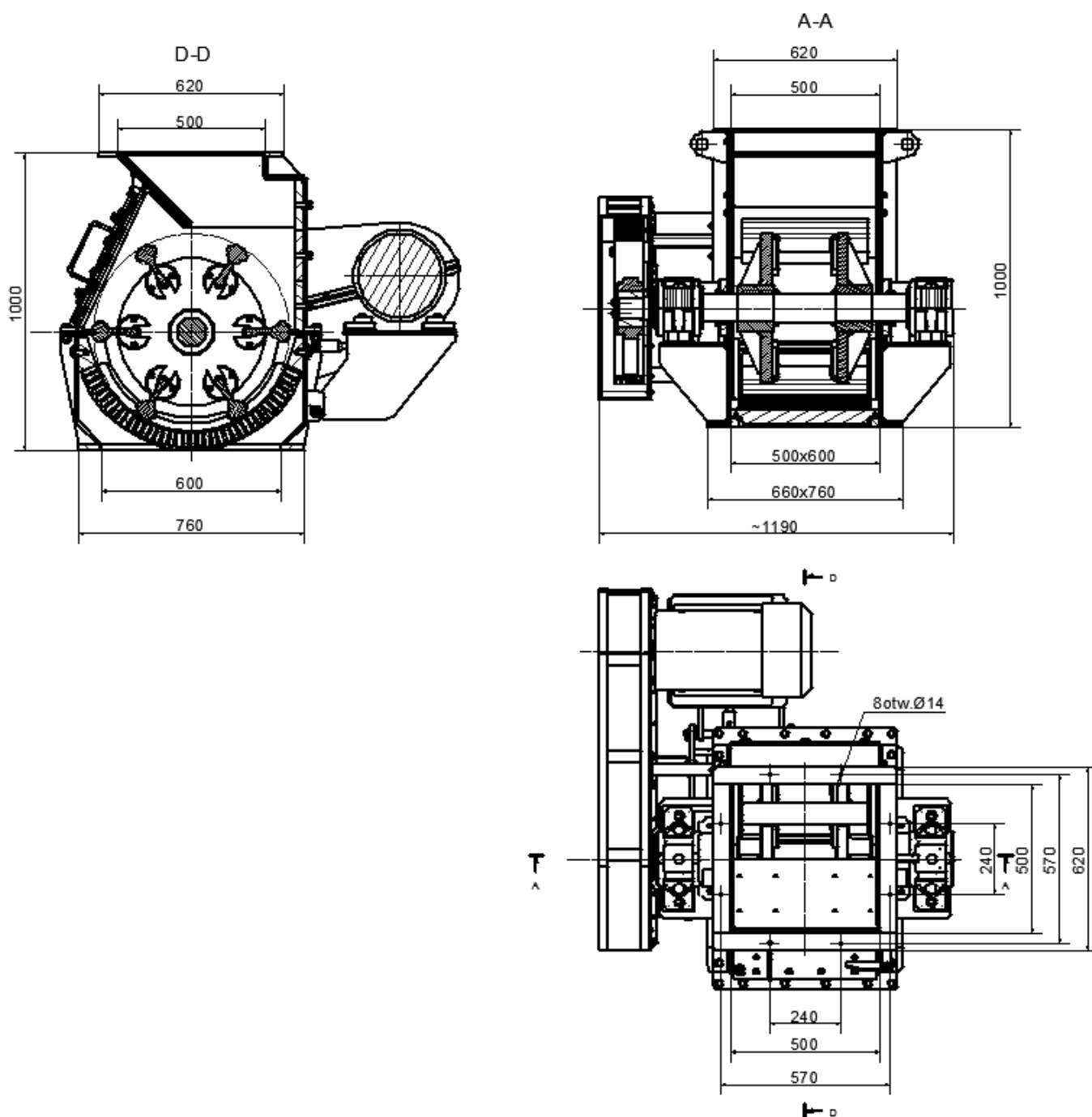
Type	OKM-6	OKM-8
Rotor diameter [mm]	660	800
Rotor width [mm]	420	420
Rotor rotations [rotations/min]	346/525	346/525
Number of beaters	6	6
Supply voltage [V]	400	400
Grid gap	to be agreed	to be agreed
Initial granulation	(dependent on the performed gap)	(dependent on the performed gap)
Crusher capacity [m <sup>3</sup> /h]	up to 4	up to 8
Overall dimensions [mm]	1200x1355x1000	1200x1555x1200
Crusher mass [kg]	1153	1680

### Equipment description:

Structure welded from steel sheet metal. The housing on the shaft includes two mounted plates to which clamp hammers are mounted. The bottom part of the crusher is covered with grids, the opening between them allows for descent of the crushed material. Hammers, grid and linings are made of wear material. Hammers are mounted on plates in a self-aligning manner.

For the best selection of the equipment please contact our technical office, tel.: +48 77/470 04 97.

# Hammer crusher type OKM-6



Tel./Fax: +48 77 / 474 50 05  
Tel./Fax: +48 77 / 474 25 92

Opole, 2015r

OFAMA Sp. z o.o.  
ul. Niemodlińska 87  
PL, 45-864 Opole

www.OFAMA.eu  
e-mail: ofama@ofama.eu